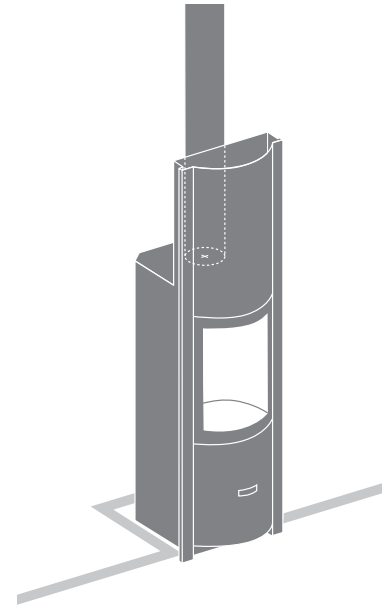


30-compact in B | The stove



3 doors	glass door, closed door, open fire
combustion chamber	compact
control of the fire	precision control of combustion air
air-tightness	control over the distribution of combustion air; sweeping of the glass, no consumption of room air; no CO in the living room
excellent efficiency	even at half-power
low pollutant levels	low emission of CO and fine particles even at half-power
economical	low wood consumption
for traditional, energy-efficient and wood-framed homes	✓
150-mm smoke outlet	above



TECHNICAL SPECIFICATIONS

GENERAL

TYPE OF SYSTEM	fitted
MATERIALS	steel + cast iron
COLOUR	Stuv grey
LOADING	manual
FUEL	wood
POSITION OF LOGS	vertical
LENGTH OF LOGS	40 cm

WEIGHT / DIMENSIONS

WEIGHT WITHOUT MASS	142 kg
Ø OF SMOKE DUCT	150 mm
Ø HOT-AIR OUTLETS	150 mm
Ø OUTSIDE AIR INLET	63 mm

AIR

DIRECT OUTSIDE INLET	✓
CONTROL OF PRIMARY AIR	✓
CONTROL OF SECONDARY AIR	✓
POST-COMBUSTION	✓
AIR-TIGHTNESS	+++
OPERATION WITHOUT FAN	✓
OVERHEATING INDICATOR	X

PERFORMANCE

OUTPUT	6 kW
USAGE RANGE	3-8 kW
EFFICIENCY	81 %
CO EMISSIONS	0.06%
FINE PARTICLE EMISSIONS	27 mg/Nm ³
RANGE OF WOOD CONSUMPTION	0.8 - 2.3 kg/h
MINIMUM DRAW	12 Pa
SMOKE MASS FLOW	5.5 g/s
AVERAGE SMOKE TEMPERATURE	332°C
CONSUMPTION OF ROOM AIR FOR COMBUSTION	15 m ³ /h
ENERGY EFFICIENCY INDEX (EEI)	108
ENERGY EFFICIENCY CLASS	A+

MIN. THICKNESS OF INSULATION BETWEEN STOVE AND COMBUSTIBLE MATERIALS

BACK FACE	0 cm
SIDE FACE	3 cm
UPPER FACE	3 cm
INSIDE FACE	0 cm

ACCESSORIES / EQUIPMENT

ACCUMULATION	X
CUPBOARD	X
BARBECUE	○
ASH-TRAY	✓
CONVECTION	✓
FAÇADE	○
OPEN FIRE	✓
MOBILOBOX	○
GROUND PLATE	○
READY-TO-FIT	○
LOG RACK	○
ROTARY FUNCTION	X
BASE	X
FAN	○
RETRACTABLE GLASS	X

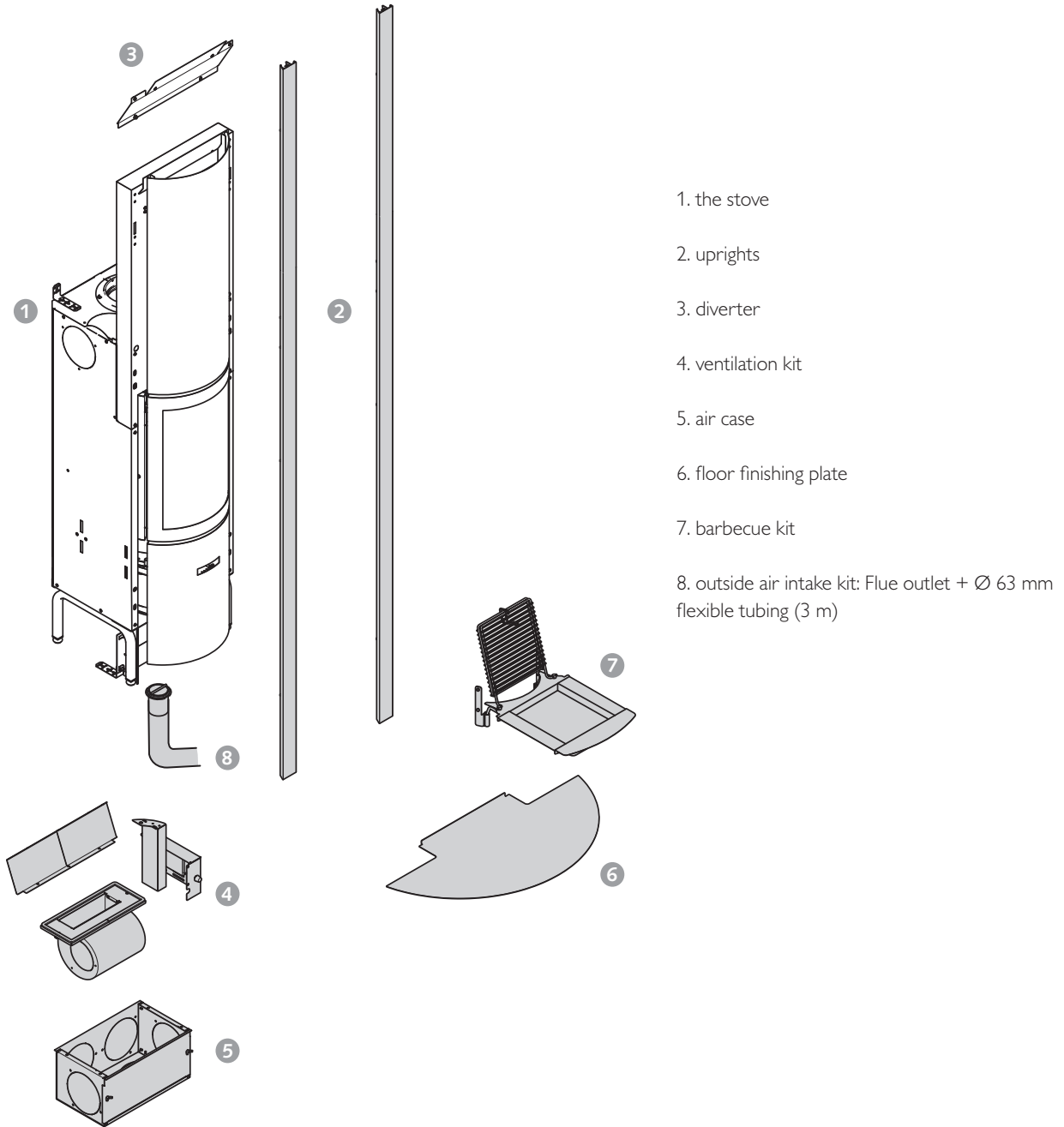
LEGEND

✓	STANDARD
X	UNAVAILABLE
○	OPTIONAL

30-compact in B | The stove



THE BASIC STOVE AND ITS OPTIONAL FEATURES

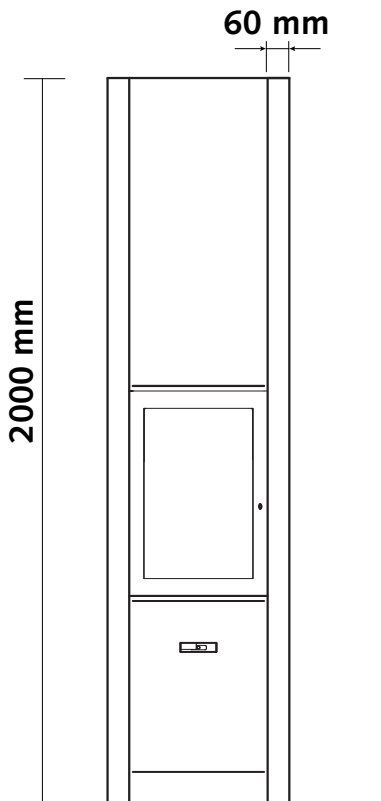


30-compact in B | The stove

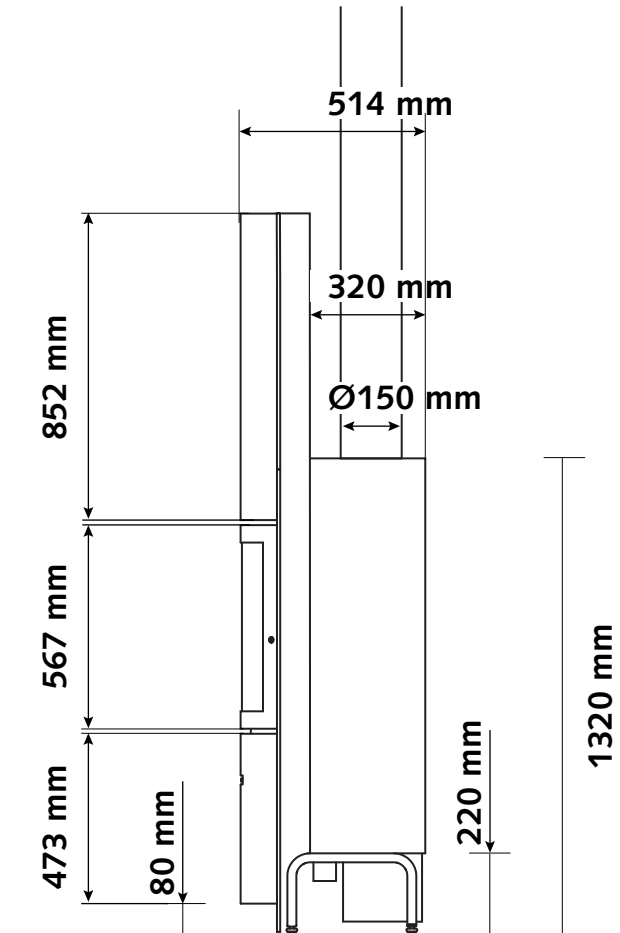


DIMENSIONS OF THE 30-COMPACT IN "B" WITH FITTED UPRIGHTS

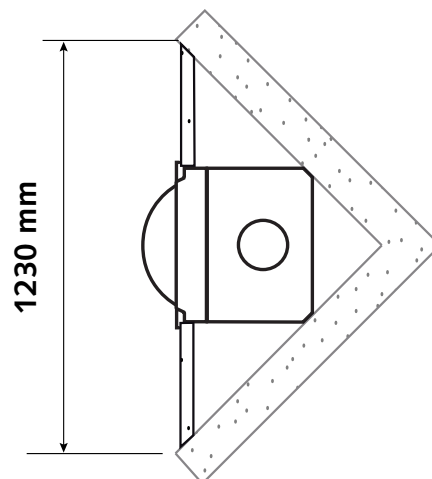
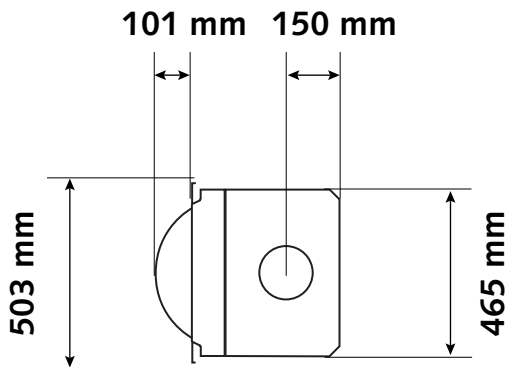
VIEW OF FRONT



VIEW OF PROFILE



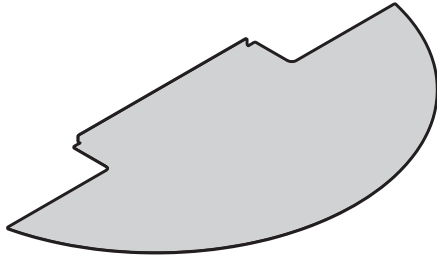
VIEW FROM ABOVE



30-compact in B + accessories



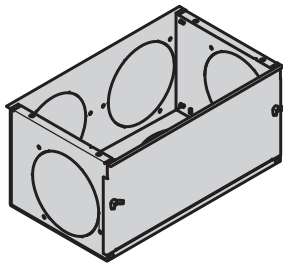
GROUND PLATE



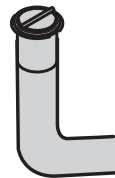
UPRIGHTS



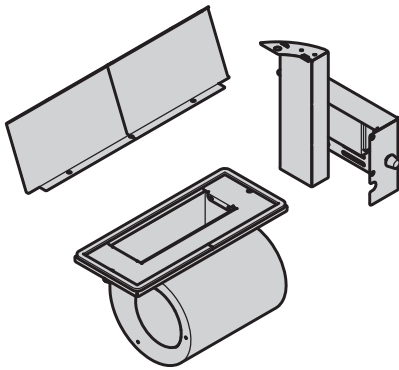
AIR CASE



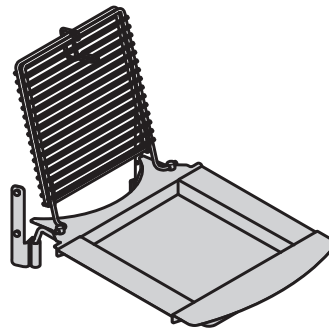
AIR INLET KIT



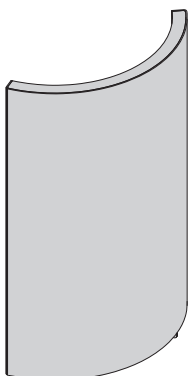
VENTILATION KIT



BARBECUE



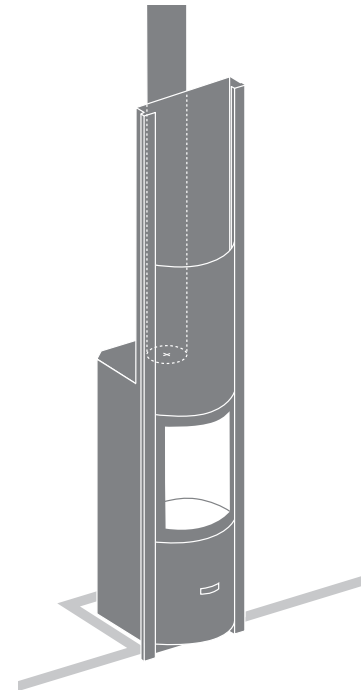
DOOR WITH AUTOMATIC CLOSING (OPTION BAUART 1)



30-compact in R | The stove



3 doors	glass door, closed door, open fire
combustion chamber	compact
control of the fire	precision control of combustion air
air-tightness	control over the distribution of combustion air; sweeping of the glass, no consumption of room air; no CO in the living room
excellent efficiency	even at half-power
low pollutant levels	low emission of CO and fine particles even at half-power
economical	low wood consumption
for traditional, energy-efficient and wood-framed homes	✓
150-mm smoke outlet	above



TECHNICAL SPECIFICATIONS

GENERAL

TYPE OF SYSTEM	fitted
MATERIALS	steel + cast iron
COLOUR	Stuv grey
LOADING	manual
FUEL	wood
POSITION OF LOGS	vertical
LENGTH OF LOGS	40 cm

WEIGHT / DIMENSIONS

WEIGHT WITHOUT MASS	142 kg
Ø OF SMOKE DUCT	150 mm
Ø HOT-AIR OUTLETS	150 mm
Ø OUTSIDE AIR INLET	63 mm

AIR

DIRECT OUTSIDE INLET	✓
CONTROL OF PRIMARY AIR	✓
CONTROL OF SECONDARY AIR	✓
POST-COMBUSTION	✓
AIR-TIGHTNESS	+++
OPERATION WITHOUT FAN	✓
OVERHEATING INDICATOR	X

PERFORMANCE

OUTPUT	6 kW
USAGE RANGE	3-8 kW
EFFICIENCY	81 %
CO EMISSIONS	0.06%
FINE PARTICLE EMISSIONS	27 mg/Nm ³
RANGE OF WOOD CONSUMPTION	0.8 - 2.3 kg/h
MINIMUM DRAW	12 Pa
SMOKE MASS FLOW	5.5 g/s
AVERAGE SMOKE TEMPERATURE	332°C
CONSUMPTION OF ROOM AIR FOR COMBUSTION	15 m ³ /h
ENERGY EFFICIENCY INDEX (EEI)	108
ENERGY EFFICIENCY CLASS	A+

MIN. THICKNESS OF INSULATION BETWEEN STOVE AND COMBUSTIBLE MATERIALS

BACK FACE	0 cm
SIDE FACE	3 cm
UPPER FACE	3 cm
INSIDE FACE	0 cm

ACCESSORIES / EQUIPMENT

ACCUMULATION	X
CUPBOARD	X
BARBECUE	○
ASH-TRAY	✓
CONVECTION	✓
FAÇADE	○
OPEN FIRE	✓
MOBILOBOX	○
GROUND PLATE	○
READY-TO-FIT	○
LOG RACK	○
ROTARY FUNCTION	X
BASE	X
FAN	○
RETRACTABLE GLASS	X

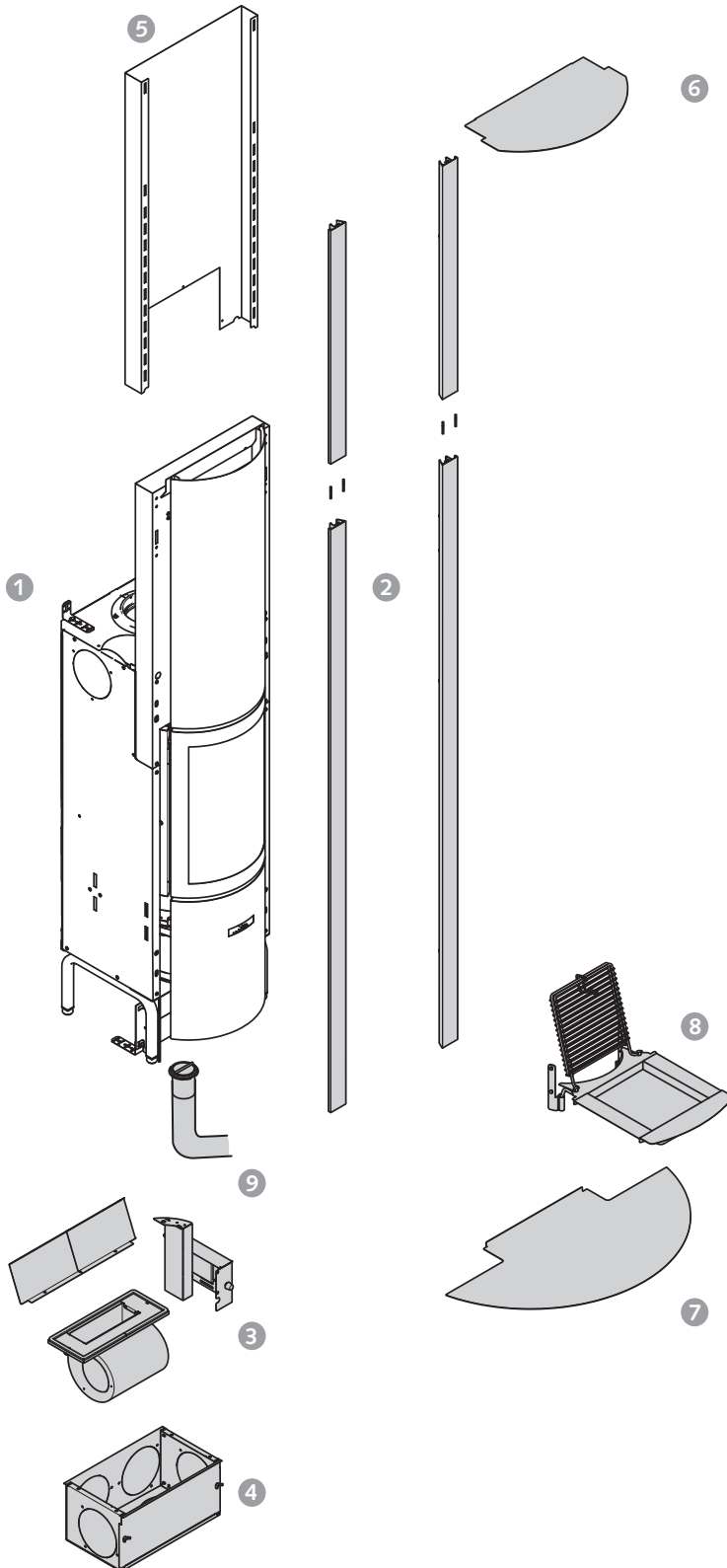
LEGEND

✓	STANDARD
X	UNAVAILABLE
○	OPTIONAL

30-compact in R | The stove



THE BASIC STOVE AND ITS OPTIONAL FEATURES



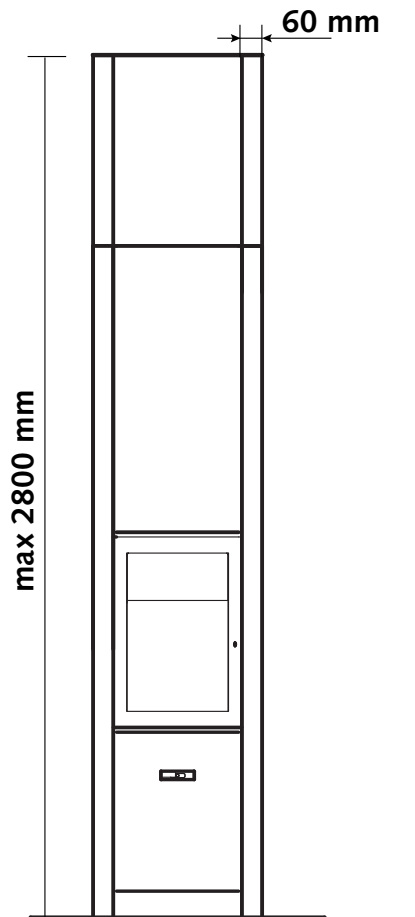
- 1. the stove
- 2. uprights
- 3. ventilation kit
- 4. air case
- 5. connection
- 6. ceiling finishing plate
- 7. floor finishing plate
- 8. barbecue kit
- 9. outside air intake kit: Flue outlet + Ø 63 mm flexible tubing (3 m)

30-compact in R | The stove

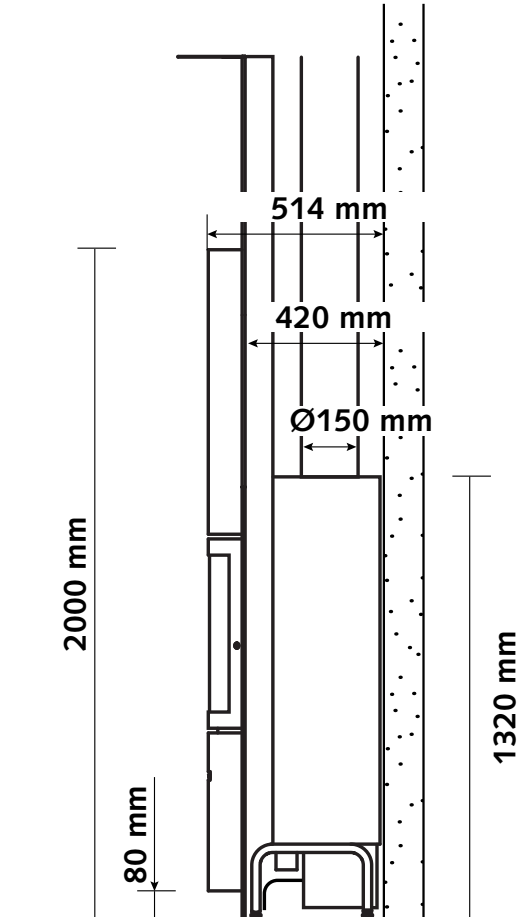


DIMENSIONS OF THE 30-COMPACT IN "R" WITH FLUSH UPRIGHTS

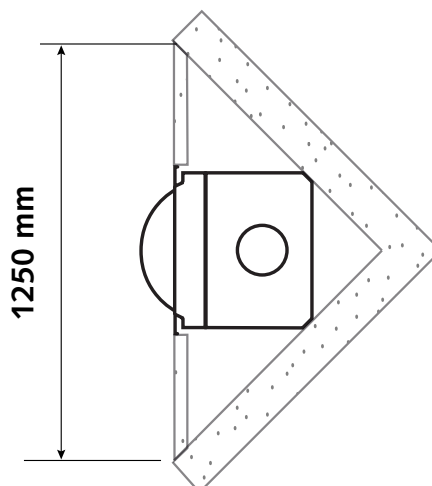
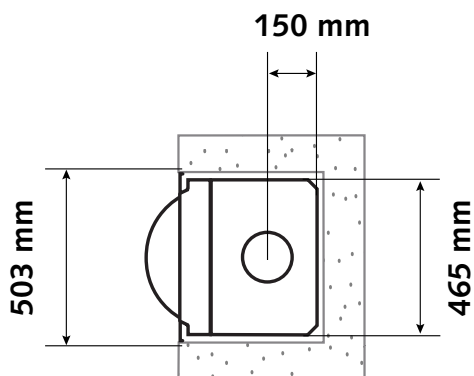
VIEW OF FRONT



VIEW OF PROFILE



VIEW FROM ABOVE

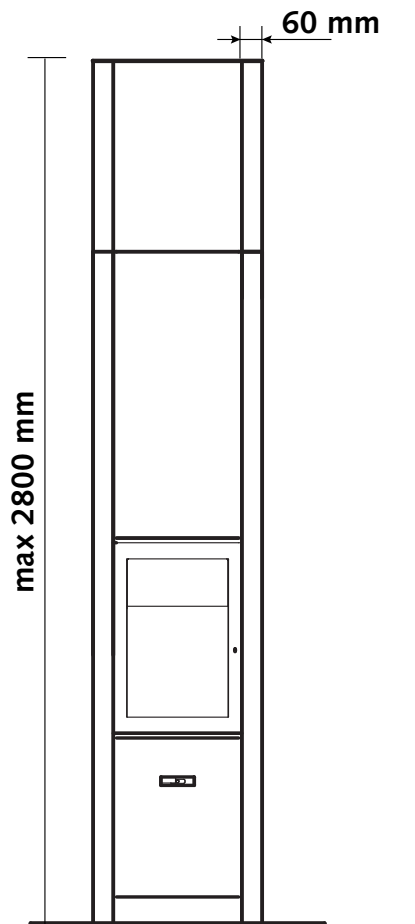


30-compact in R | The stove

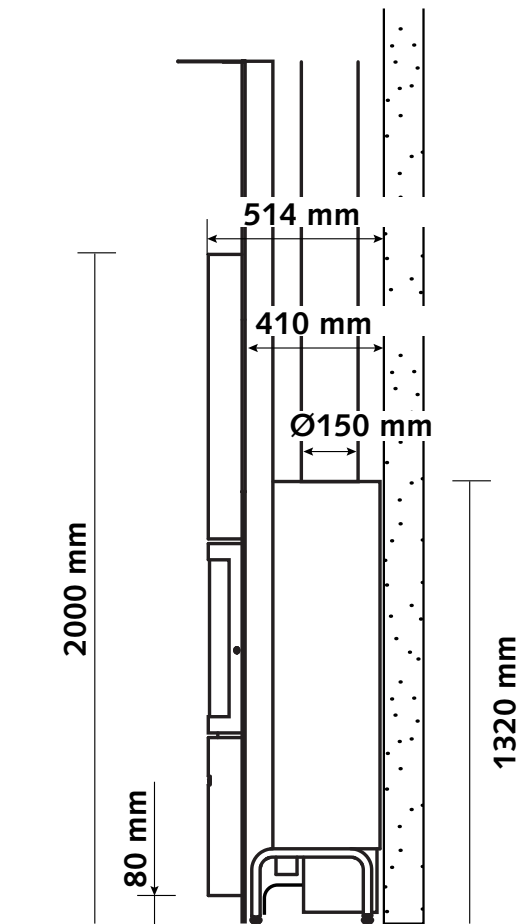


DIMENSIONS OF THE 30-COMPACT IN "R" WITH FITTED UPRIGHTS

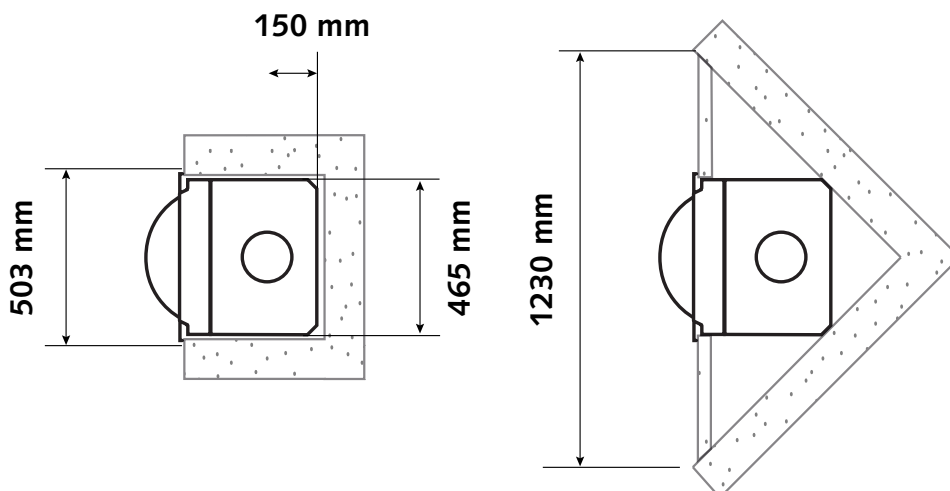
VIEW OF FRONT



VIEW OF PROFILE



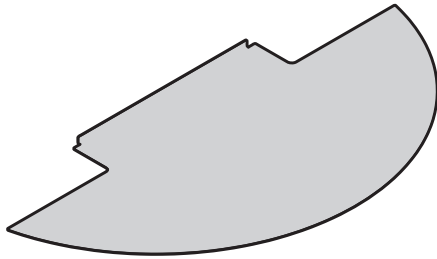
VIEW FROM ABOVE



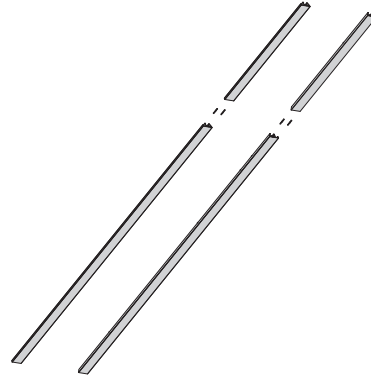
30-compact R + accessories



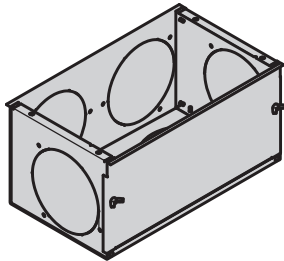
GROUND PLATE



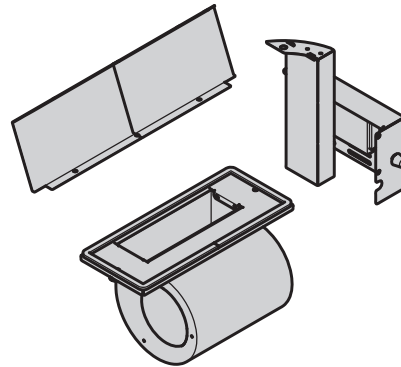
FITTED AND FLUSH UPRIGHTS



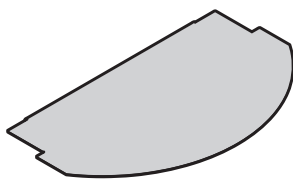
AIR CASE



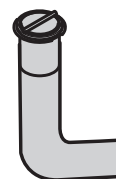
VENTILATION KIT



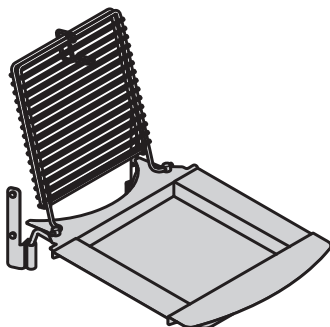
CEILING FINISHING PLATE



AIR INLET KIT



BARBECUE



DOOR WITH AUTOMATIC CLOSING (OPTION BAUART 1)

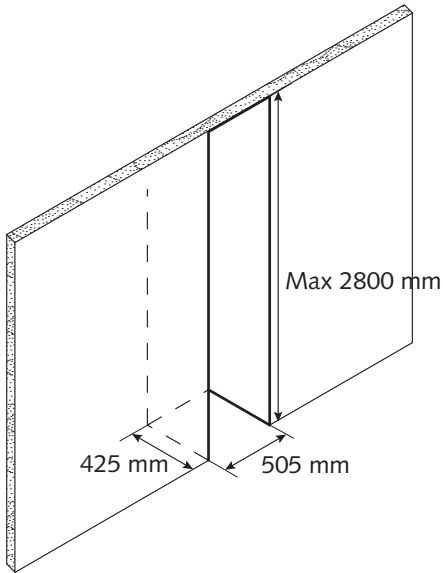


30-compact in | The stove

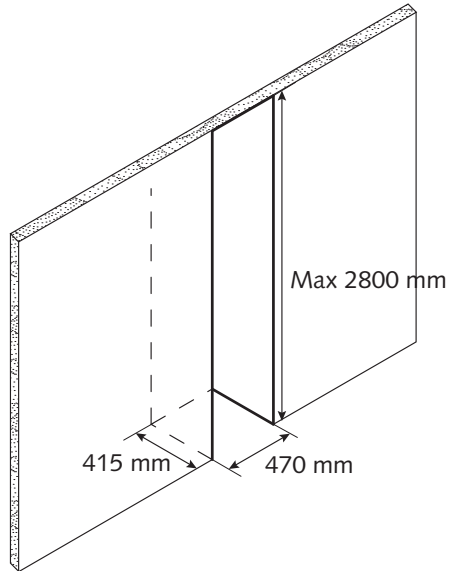


DIMENSIONS OF THE RECESS

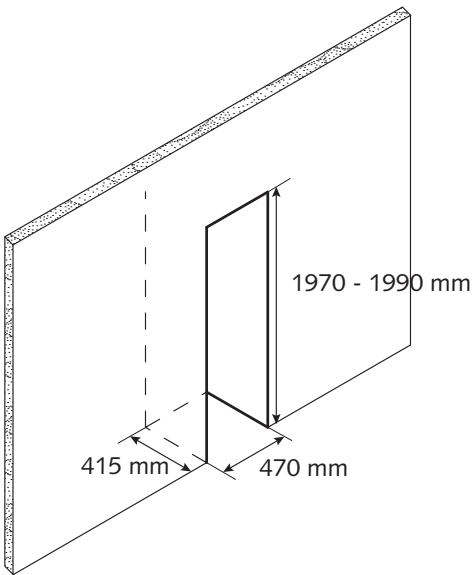
RECESS FOR 30-COMPACT IN "R"
WITH FLUSH UPRIGHTS



RECESS FOR 30-COMPACT IN "R"
WITH FITTED UPRIGHTS



RECESS FOR 30-COMPACT IN "B"



HEAT RADIATED FROM THE GLASS

