

## 6-in - 46x55 | Inset

stuv

## enjoyment of the fire

expanded view on the fire  
 precise control of the combustion  
 natural convection

## simple installation procedure

installation box  
 small depth  
 oblique or vertical smoke flue outlet  
 external air inlet from below or from behind  
 integrated convection (no hoses or grilles)

## economical

low wood consumption  
 high efficiency

## low pollutant levels

low emission of fine particles



## TECHNICAL OVERVIEW

## GENERAL

TYPE OF STOVE	fitted
MATERIALS	steel + cast iron
COLOUR	Stuv Black
LOADING	manual
FUEL	wood
LOG POSITION	vertical
LOG LENGTH	20 cm

## WEIGHT / SIZE

WEIGHT	60 kg
Ø OF SMOKE FLUE	130 mm
Ø OF OUTSIDE AIR INLET	100 mm

## AIR

DIRECT EXTERNAL INLET	○*
PRIMARY AIR CONTROL	✓
SECONDARY AIR CONTROL	✓
POST-COMBUSTION	✓
AIR-TIGHTNESS	++++
OPERATES WITHOUT FAN	✓
OVERHEATING INDICATOR	✓

\* Below or rear intake

## PERFORMANCE

NOMINAL OUTPUT	4,9 kW
OUTPUT RANGE	4 - 7 kW
EFFICIENCY	80%
CO EMISSIONS	0,08%
FINE PARTICLE EMISSIONS	15 mg/Nm <sup>3</sup>
WOOD CONSUMPTION RANGE	1,1 - 2 kg/h
MINIMUM DRAW	12 Pa
SMOKE MASS FLOW	5,4 g/s
AVERAGE TEMP. OF SMOKE	253°C
CONSUMPTION OF ROOM AIR FOR COMBUSTION	15 m <sup>3</sup> /h
ENERGY EFFICIENCY INDEX (EEI)	107
ENERGY EFFICIENCY CLASS	A+

## MINIMUM THICKNESS OF INSULATION BETWEEN STOVE AND COMBUSTIBLE MATERIALS

BACK FACE	9 cm
SIDE FACE	4 cm
TOP FACE	11 cm
BOTTOM FACE	5 cm

## ACCESSORIES / EQUIPMENT

FAN	X
-----	---

## LEGEND

✓	STANDARD
X	UNAVAILABLE
○	OPTIONAL

Conforms with:



ECODESIGN 2022 / BE Phase 3 / DEFRA

## 6-in - 56x50 | Inset

**enjoyment of the fire**

expanded view on the fire  
precise control of the combustion  
natural convection

**simple installation procedure**

installation box  
small depth  
oblique or vertical smoke flue outlet  
external air inlet from below or from behind  
integrated convection (no hoses or grilles)

**economical**

low wood consumption  
high efficiency

**low pollutant levels**

low emission of fine particles


**TECHNICAL OVERVIEW**
**GENERAL**

TYPE OF STOVE	fitted
MATERIALS	steel + cast iron
COLOUR	Stuv Black
LOADING	manual
FUEL	wood
LOG POSITION	vertical
LOG LENGTH	33 cm

**WEIGHT / SIZE**

WEIGHT	80 kg
Ø OF SMOKE FLUE	130 mm
Ø OF HOT AIR OUTLETS	150 mm
Ø OF OUTSIDE AIR INLET	100 mm

**AIR**

DIRECT EXTERNAL INLET	<input type="radio"/> *
PRIMARY AIR CONTROL	✓
SECONDARY AIR CONTROL	✓
POST-COMBUSTION	✓
AIR-TIGHTNESS	++++
OPERATES WITHOUT FAN	✓

\* Below or rear intake

**PERFORMANCE**

NOMINAL OUTPUT	5,9 kW
OUTPUT RANGE	4 - 8 kW
EFFICIENCY	79%
CO EMISSIONS	0,17%
FINE PARTICLE EMISSIONS	24 mg/Nm <sup>3</sup>
NO <sub>x</sub> EMISSIONS	108 mg/Nm <sup>3</sup>
C <sub>n</sub> H <sub>m</sub> EMISSIONS	68 mg/Nm <sup>3</sup>
WOOD CONSUMPTION RANGE	1,1 - 2,3 kg/h
MINIMUM DRAW	12 Pa
SMOKE MASS FLOW	5,6 g/s
AVERAGE TEMP. OF SMOKE	257°C
CONSUMPTION OF ROOM AIR FOR COMBUSTION	15 m <sup>3</sup> /h
ENERGY EFFICIENCY INDEX (EEI)	106
ENERGY EFFICIENCY CLASS	A
ENERGY PERFORMANCE INDEX	0,47

**MINIMUM THICKNESS OF INSULATION BETWEEN STOVE AND COMBUSTIBLE MATERIALS**

BACK FACE	4 cm
SIDE FACE	8,5 cm
TOP FACE	10 cm
BOTTOM FACE	5 cm

**ACCESSORIES / EQUIPMENT**

FAN	<input type="radio"/>
-----	-----------------------

**LEGEND**

✓	STANDARD
✗	UNAVAILABLE
○	OPTIONAL

Conforms with:



ECODESIGN 2022 / BE Phase 3 / DEFRA

## 6-in - 66x50 | Inset

### enjoyment of the fire

expanded view on the fire  
precise control of the combustion  
natural or fan assisted convection

### simple installation procedure

Installation box  
small depth  
oblique or vertical smoke flue outlet  
external air inlet from below or from behind  
integrated convection (Ducted convection is possible as option)

### economical

low wood consumption  
high efficiency

### low pollutant levels

low emission of fine particles



## TECHNICAL OVERVIEW

### GENERAL

TYPE OF STOVE	fitted
MATERIALS	steel + cast iron
COLOUR	Stuv Black
LOADING	manual
FUEL	wood
LOG POSITION	horizontal
LOG LENGTH	40 cm

### WEIGHT / SIZE

WEIGHT	75 kg
Ø OF SMOKE FLUE	150 mm
Ø OF HOT AIR OUTLETS	150 mm
Ø OF OUTSIDE AIR INLET	100 mm

### AIR

DIRECT EXTERNAL INLET	<input type="radio"/> *
PRIMARY AIR CONTROL	✓
SECONDARY AIR CONTROL	✓
POST-COMBUSTION	✓
AIR-TIGHTNESS	++++
OPERATES WITHOUT FAN	✓
OVERHEATING INDICATOR	✓

\* Below or rear intake

### PERFORMANCE

NOMINAL OUTPUT	7 kW
OUTPUT RANGE	5-9 kW
EFFICIENCY	77%
CO EMISSIONS	< 0,10%
FINE PARTICLE EMISSIONS	< 30 mg/Nm <sup>3</sup>
NO <sub>x</sub> EMISSIONS	108 mg/Nm <sup>3</sup>
C <sub>n</sub> H <sub>m</sub> EMISSIONS	68 mg/Nm <sup>3</sup>
WOOD CONSUMPTION RANGE	1,5-2,6 kg/h
MINIMUM DRAW	12 Pa
SMOKE MASS FLOW	5,5 g/s
AVERAGE TEMP. OF SMOKE	292°C
CONSUMPTION OF ROOM AIR FOR COMBUSTION	17 m <sup>3</sup> /h
ENERGY EFFICIENCY INDEX (EEI)	103
ENERGY EFFICIENCY CLASS	A
ENERGY PERFORMANCE INDEX	

### MINIMUM THICKNESS OF INSULATION BETWEEN STOVE AND COMBUSTIBLE MATERIALS

BACK FACE	9 cm
SIDE FACE	8 cm
TOP FACE	11 cm
BOTTOM FACE	5 cm

### ACCESSORIES / EQUIPMENT

FAN

### LEGEND

✓	STANDARD
✗	UNAVAILABLE
<input type="radio"/>	OPTIONAL

Conforms with:



ECODESIGN 2022 / BE Phase 3 / DEFRA

## 6-in - 66x55 | Inset

### enjoyment of the fire

expanded view on the fire  
precise control of the combustion  
natural or fan assisted convection

### simple installation procedure

Installation box  
small depth  
oblique or vertical smoke flue outlet  
external air inlet from below or from behind  
integrated convection (Ducted convection is possible as option)

### economical

low wood consumption  
high efficiency

### low pollutant levels

low emission of fine particles



## TECHNICAL OVERVIEW

### GENERAL

TYPE OF STOVE	fitted
MATERIALS	steel + cast iron
COLOUR	Stuv Black
LOADING	manual
FUEL	wood
LOG POSITION	horizontal
LOG LENGTH	40 cm

### WEIGHT / SIZE

WEIGHT	95 kg
Ø OF SMOKE FLUE	150 mm
Ø OF HOT AIR OUTLETS	150 mm
Ø OF OUTSIDE AIR INLET	100 mm

### AIR

DIRECT EXTERNAL INLET	<input type="radio"/> *
PRIMARY AIR CONTROL	✓
SECONDARY AIR CONTROL	✓
POST-COMBUSTION	✓
AIR-TIGHTNESS	++++
OPERATES WITHOUT FAN	✓
OVERHEATING INDICATOR	✓

\* Below or rear intake

### PERFORMANCE

NOMINAL OUTPUT	7,6 kW
OUTPUT RANGE	5 - 9 kW
EFFICIENCY	79%
CO EMISSIONS	0,20%
FINE PARTICLE EMISSIONS	15 mg/Nm <sup>3</sup>
NO <sub>x</sub> EMISSIONS	116 mg/Nm <sup>3</sup>
C <sub>n</sub> H <sub>m</sub> EMISSIONS	68 mg/Nm <sup>3</sup>
WOOD CONSUMPTION RANGE	1,4 - 2,6 kg/h
MINIMUM DRAW	12 Pa
SMOKE MASS FLOW	75 g/s
AVERAGE TEMP. OF SMOKE	270°C
CONSUMPTION OF ROOM AIR FOR COMBUSTION	19 m <sup>3</sup> /h
ENERGY EFFICIENCY INDEX (EEI)	105
ENERGY EFFICIENCY CLASS	A
ENERGY PERFORMANCE INDEX	

### MINIMUM THICKNESS OF INSULATION BETWEEN STOVE AND COMBUSTIBLE MATERIALS

BACK FACE	4 cm
SIDE FACE	8,5 cm
TOP FACE	4 cm
BOTTOM FACE	8 cm

### ACCESSORIES / EQUIPMENT

FAN	<input type="radio"/>
-----	-----------------------

### LEGEND

✓	STANDARD
✗	UNAVAILABLE
○	OPTIONAL

Conforms with:



ECODESIGN 2022 / BE Phase 3 / DEFRA

## 6-in - 76x55 | Inset

### enjoyment of the fire

expanded view on the fire  
precise control of the combustion  
natural or fan assisted convection

### simple installation procedure

Installation box  
small depth  
oblique or vertical smoke flue outlet  
external air inlet from below or from behind  
integrated convection (Ducted convection is possible as option)

### economical

low wood consumption  
high efficiency

### low pollutant levels

low emission of fine particles



## TECHNICAL OVERVIEW

### GENERAL

TYPE OF STOVE	fitted
MATERIALS	steel + cast iron
COLOUR	Stuv Black
LOADING	manual
FUEL	wood
LOG POSITION	horizontal
LOG LENGTH	50 cm

### WEIGHT / SIZE

WEIGHT	85 kg
Ø OF SMOKE FLUE	153 mm
Ø OF HOT AIR OUTLETS	100 mm
Ø OF OUTSIDE AIR INLET	100 mm

### AIR

DIRECT EXTERNAL INLET	<input type="radio"/> *
PRIMARY AIR CONTROL	✓
SECONDARY AIR CONTROL	✓
POST-COMBUSTION	✓
AIR-TIGHTNESS	++++
OPERATES WITHOUT FAN	✓

\* Below or rear intake

### PERFORMANCE

NOMINAL OUTPUT	8.5 kW
OUTPUT RANGE	6 - 10 kW
EFFICIENCY	77%
CO EMISSIONS	0,07%
FINE PARTICLE EMISSIONS	17 mg/Nm <sup>3</sup>
NO <sub>x</sub> EMISSIONS	130 mg/Nm <sup>3</sup>
C <sub>n</sub> H <sub>m</sub> EMISSIONS	52 mg/Nm <sup>3</sup>
WOOD CONSUMPTION RANGE	1,7 - 2,9 kg/h
MINIMUM DRAW	12 Pa
SMOKE MASS FLOW	8,6 g/s
AVERAGE TEMP. OF SMOKE	283°C
CONSUMPTION OF ROOM AIR FOR COMBUSTION	23 m <sup>3</sup> /h
ENERGY EFFICIENCY INDEX (EEI)	103
ENERGY EFFICIENCY CLASS	A
ENERGY PERFORMANCE INDEX	

### MINIMUM THICKNESS OF INSULATION BETWEEN STOVE AND COMBUSTIBLE MATERIALS

BACK FACE	3 cm
SIDE FACE	8 cm
TOP FACE	8 cm
BOTTOM FACE	4 cm

### ACCESSORIES / EQUIPMENT

FAN	<input type="radio"/>
-----	-----------------------

### LEGEND

✓	STANDARD
✗	UNAVAILABLE
○	OPTIONAL

Conforms with:



ECODESIGN 2022 / BE Phase 3 / DEFRA

## 6-in - 76x60 | Inset

### enjoyment of the fire

expanded view on the fire  
precise control of the combustion  
natural or fan assisted convection

### simple installation procedure

Installation box  
small depth  
oblique or vertical smoke flue outlet  
external air inlet from below or from behind  
integrated convection (Ducted convection is possible as option)

### economical

low wood consumption  
high efficiency

### low pollutant levels

low emission of fine particles



## TECHNICAL OVERVIEW

### GENERAL

TYPE OF STOVE	fitted
MATERIALS	steel + cast iron
COLOUR	Stuv Black
LOADING	manual
FUEL	wood
LOG POSITION	horizontal
LOG LENGTH	50 cm

### WEIGHT / SIZE

WEIGHT	105 kg
Ø OF SMOKE FLUE	150 mm
Ø OF HOT AIR OUTLETS	150 mm
Ø OF OUTSIDE AIR INLET	100 mm

### AIR

DIRECT EXTERNAL INLET	<input type="radio"/> *
PRIMARY AIR CONTROL	✓
SECONDARY AIR CONTROL	✓
POST-COMBUSTION	✓
AIR-TIGHTNESS	++++
OPERATES WITHOUT FAN	✓

\* Below or rear intake

### PERFORMANCE

NOMINAL OUTPUT	9,3 kW
OUTPUT RANGE	7 - 11 kW
EFFICIENCY	78%
CO EMISSIONS	0,16%
FINE PARTICLE EMISSIONS	21 mg/Nm <sup>3</sup>
NO <sub>x</sub> EMISSIONS	116 mg/Nm <sup>3</sup>
C <sub>n</sub> H <sub>m</sub> EMISSIONS	68 mg/Nm <sup>3</sup>
WOOD CONSUMPTION RANGE	2 - 3,1 kg/h
MINIMUM DRAW	12 Pa
SMOKE MASS FLOW	8,4 g/s
AVERAGE TEMP. OF SMOKE	284°C
CONSUMPTION OF ROOM AIR FOR COMBUSTION	22 m <sup>3</sup> /h
ENERGY EFFICIENCY INDEX (EEI)	105
ENERGY EFFICIENCY CLASS	A
ENERGY PERFORMANCE INDEX	

### MINIMUM THICKNESS OF INSULATION BETWEEN STOVE AND COMBUSTIBLE MATERIALS

BACK FACE	4 cm
SIDE FACE	8 cm
TOP FACE	4 cm
BOTTOM FACE	8 cm

### ACCESSORIES / EQUIPMENT

FAN	<input type="radio"/>
-----	-----------------------

### LEGEND

✓	STANDARD
✗	UNAVAILABLE
○	OPTIONAL

Conforms with:



ECODESIGN 2022 / BE Phase 3 / DEFRA

## 6-in - 86x60 | Inset

### enjoyment of the fire

expanded view on the fire  
precise control of the combustion  
natural or fan assisted convection

### simple installation procedure

Installation box  
small depth  
oblique or vertical smoke flue outlet  
external air inlet from below or from behind  
integrated convection (Ducted convection is possible as option)

### economical

low wood consumption  
high efficiency

### low pollutant levels

low emission of fine particles



## TECHNICAL OVERVIEW

### GENERAL

TYPE OF STOVE	fitted
MATERIALS	steel + cast iron
COLOUR	Stuv Black
LOADING	manual
FUEL	wood
LOG POSITION	horizontal
LOG LENGTH	50 cm

### WEIGHT / SIZE

WEIGHT	95 kg
Ø OF SMOKE FLUE	180 mm
Ø OF HOT AIR OUTLETS	150 mm
Ø OF OUTSIDE AIR INLET	100 mm

### AIR

DIRECT EXTERNAL INLET	○*
PRIMARY AIR CONTROL	✓
SECONDARY AIR CONTROL	✓
POST-COMBUSTION	✓
AIR-TIGHTNESS	++++
OPERATES WITHOUT FAN	✓

\* Below or rear intake

### PERFORMANCE

NOMINAL OUTPUT	10,8 kW
OUTPUT RANGE	8 - 13 kW
EFFICIENCY	75%
CO EMISSIONS	0,08%
FINE PARTICLE EMISSIONS	22 mg/Nm <sup>3</sup>
NO <sub>x</sub> EMISSIONS	113 mg/Nm <sup>3</sup>
C <sub>n</sub> H <sub>m</sub> EMISSIONS	85 mg/Nm <sup>3</sup>
WOOD CONSUMPTION RANGE	2,4 - 3,9 kg/h
MINIMUM DRAW	12 Pa
SMOKE MASS FLOW	10,7 g/s
AVERAGE TEMP. OF SMOKE	312°C
CONSUMPTION OF ROOM AIR FOR COMBUSTION	23 m <sup>3</sup> /h
ENERGY EFFICIENCY INDEX (EEI)	103
ENERGY EFFICIENCY CLASS	A
ENERGY PERFORMANCE INDEX	

### MINIMUM THICKNESS OF INSULATION BETWEEN STOVE AND COMBUSTIBLE MATERIALS

BACK FACE	4 cm
SIDE FACE	8 cm
TOP FACE	4 cm
BOTTOM FACE	8 cm

### ACCESSORIES / EQUIPMENT

FAN	○
-----	---

### LEGEND

✓	STANDARD
✗	UNAVAILABLE
○	OPTIONAL

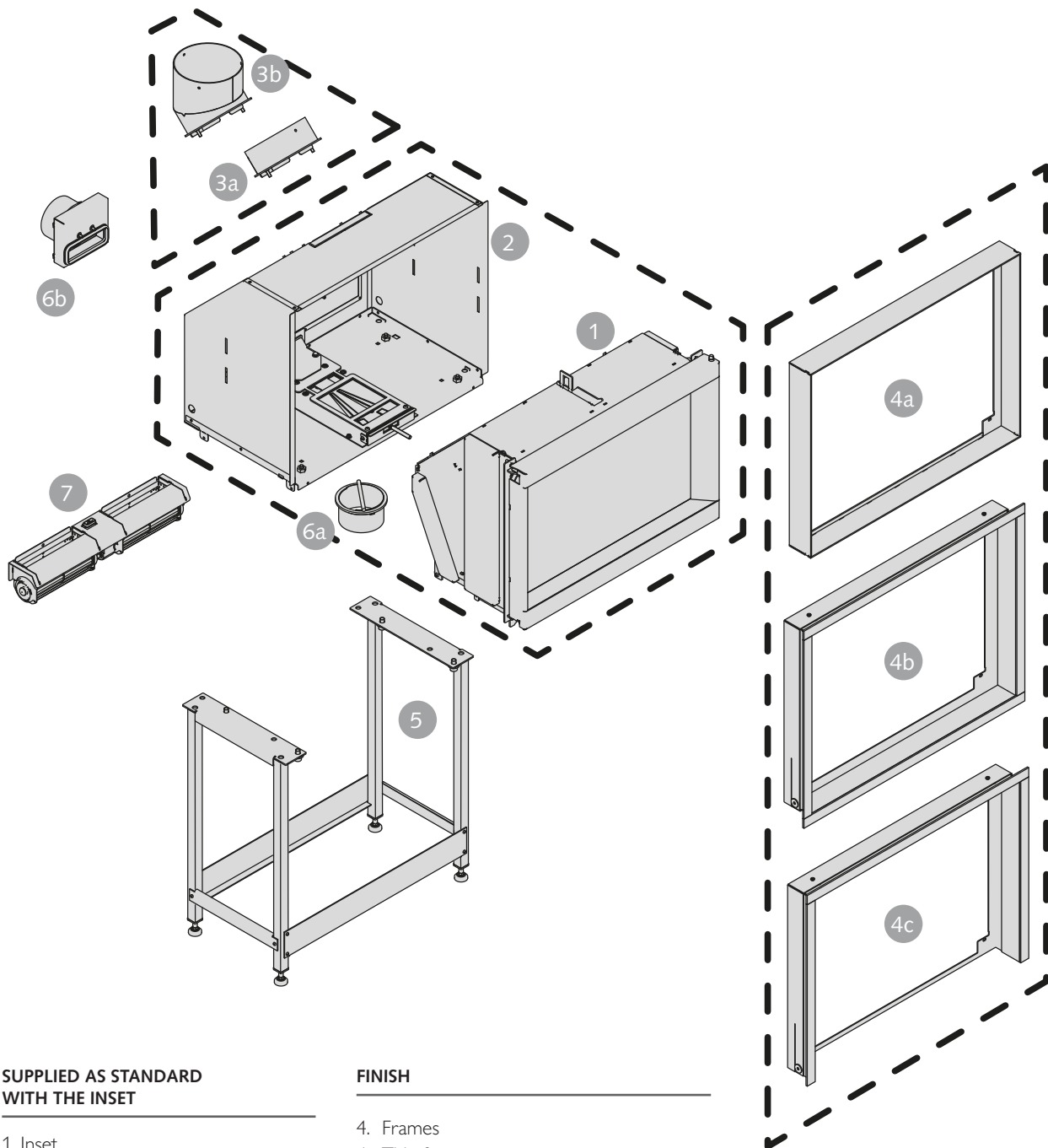
Conforms with:



ECODESIGN 2022 / BE Phase 3 / DEFRA

# Stûv 6-in | Inset

## STANDARD AND OPTIONAL ELEMENTS



**SUPPLIED AS STANDARD WITH THE INSET**

- 1. Inset
- 2. Installation box

**FINISH**

- 4. Frames
- 4a. Thin frame
- 4b. Fitted frame four sided
- 4c. Fitted frame three sided

**SMOKE PIPE CONNECTION**

- 3. Smoke outlets
- 3a. Oblique smoke outlet
- 3b. Vertical smoke outlet

**OPTIONAL**

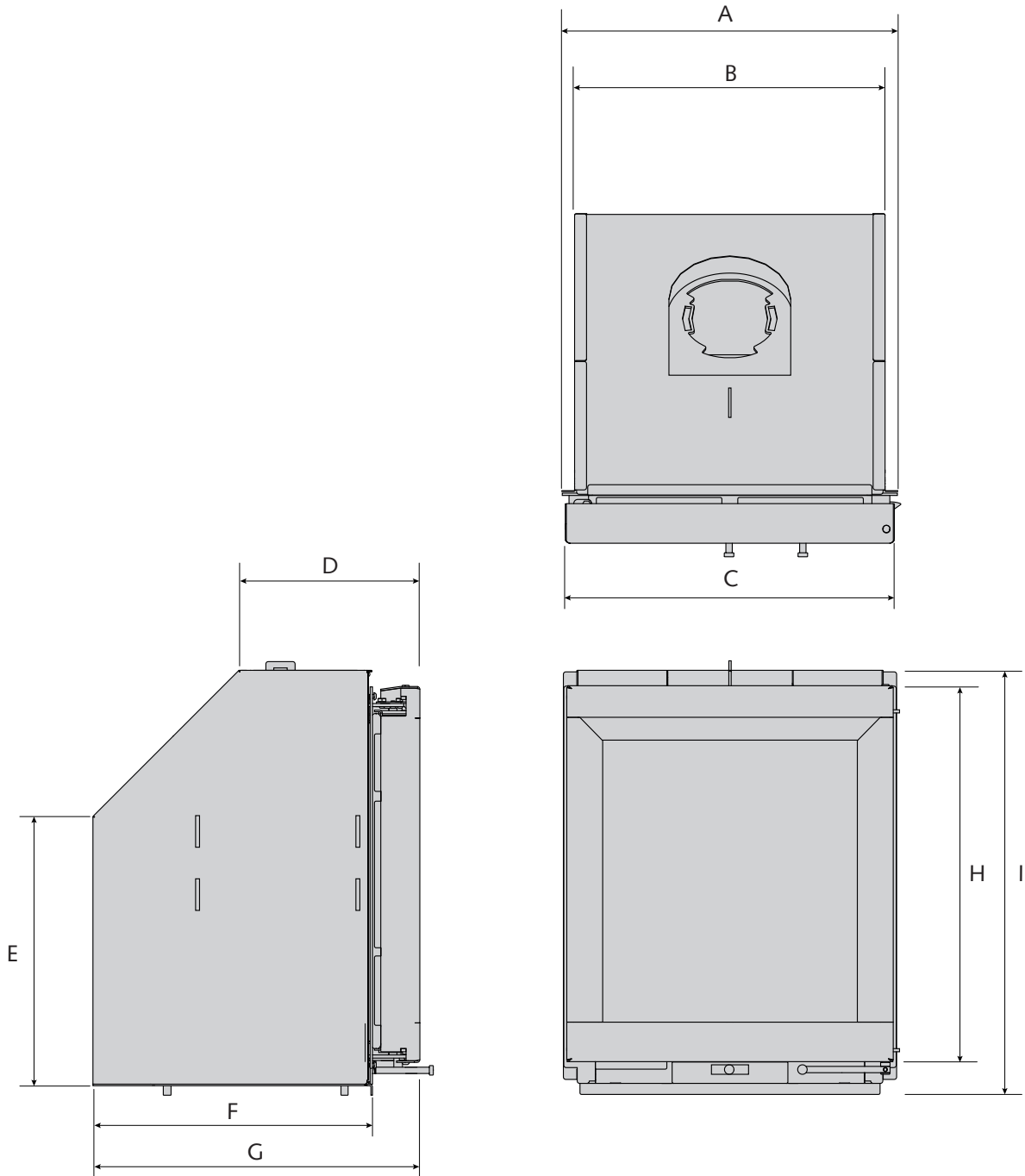
- 5. Support table
- 6. Air connection
- 6a. Air connection kit 100 mm below
- 6b. Air connection kit 100 mm rear
- 7. Fan



# Stûv 6-in - 46x55 | Inset



## APPLIANCE DIMENSIONS



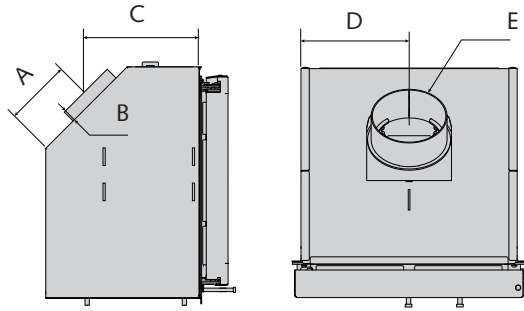
DIMENSIONS (MM)	A	B	C	D	E	F	G	H	I
Stûv 6-in - 46x55	422	390	413	228	340	353	413	476	538

# Stûv 6-in - 46x55 | Inset



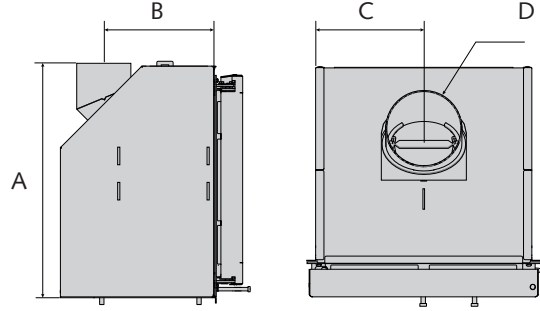
## APPLIANCE DIMENSIONS

### OBLIQUE SMOKE OUTLET



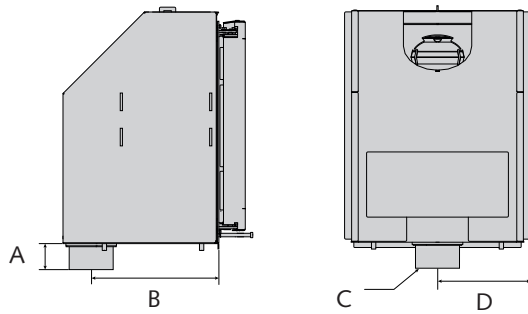
DIMENSIONS (MM)	A	B	C	D	E
Stûv 6-in - 46x55	149	29	262	195	130

### VERTICAL SMOKE OUTLET



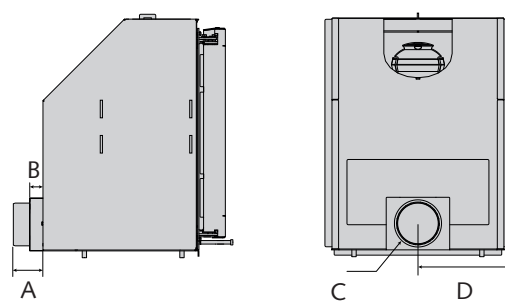
DIMENSIONS (MM)	A	B	C	D
Stûv 6-in - 46x55	544	251	195	130

### AIR CONNECTION KIT 100MM BELOW (OPTION)



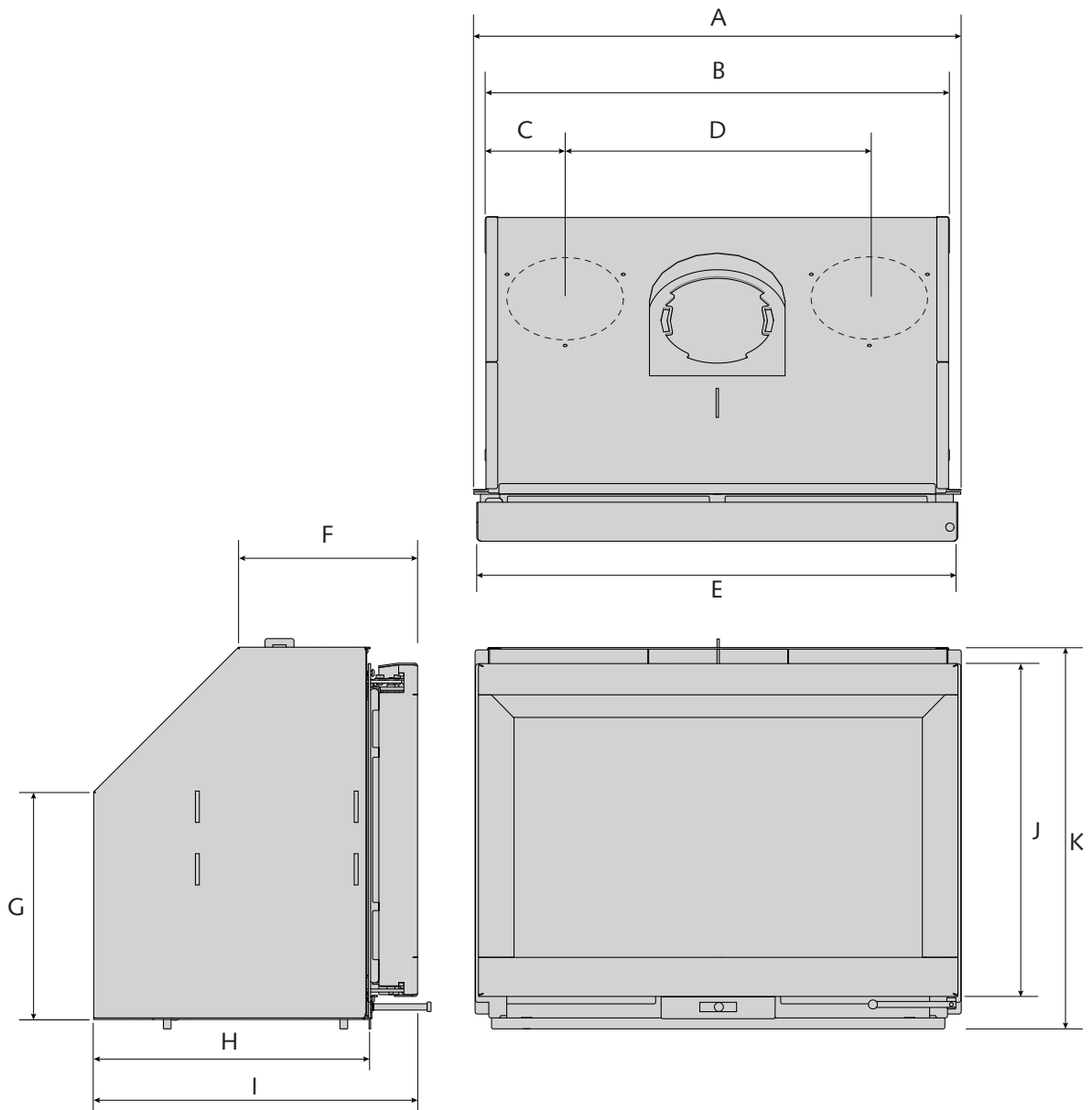
DIMENSIONS (MM)	A	B	C	D
Stûv 6-in - 46x55	59	290	100	195

### AIR CONNECTION KIT 100MM REAR (OPTION)



DIMENSIONS (MM)	A	B	C	D
Stûv 6-in - 46x55	92	31	100	295

## APPLIANCE DIMENSIONS



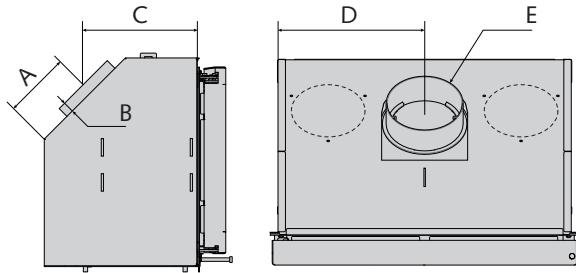
DIMENSIONS (MM)	A	B	C	D	E	F	G	H	I	J	K
Stûv 6-in - 56X50	522	490	-	-	513	228	290	353	413	426	538
Stûv 6-in - 66X50	622	590	101	388	613	228	290	353	413	426	488
Stûv 6-in - 66X55	622	590	101	388	613	228	340	353	413	476	538
Stûv 6-in - 76X55	722	690	101	488	713	228	340	353	413	476	538
Stûv 6-in - 76X60	722	690	101	488	713	228	390	353	413	526	588
Stûv 6-in - 86X60	822	790	141	508	813	228	390	353	413	526	588

# Stûv 6-in | Inset



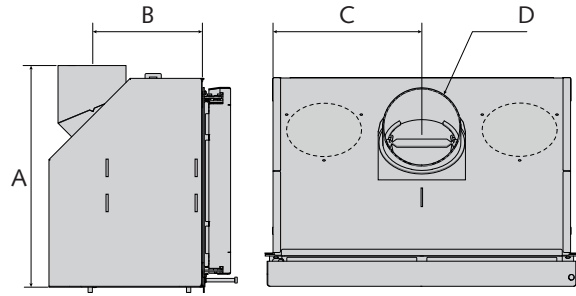
## APPLIANCE DIMENSIONS

### OBLIQUE SMOKE OUTLET



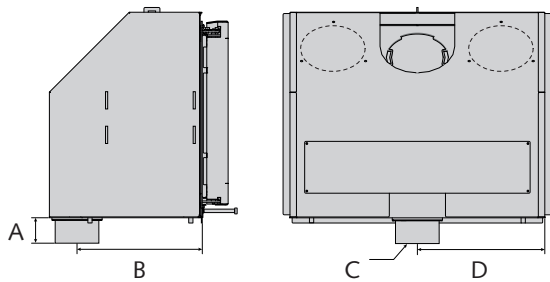
DIMENSIONS (MM)	A	B	C	D	E
Stûv 6-in - 56X50	149	29	262	245	130
Stûv 6-in - 66X50	149	29	262	295	150
Stûv 6-in - 66X55	149	29	262	295	150
Stûv 6-in - 76X55	149	29	262	345	150
Stûv 6-in - 76X60	149	29	262	345	150
Stûv 6-in - 86X60	149	29	262	395	180

### VERTICAL SMOKE OUTLET



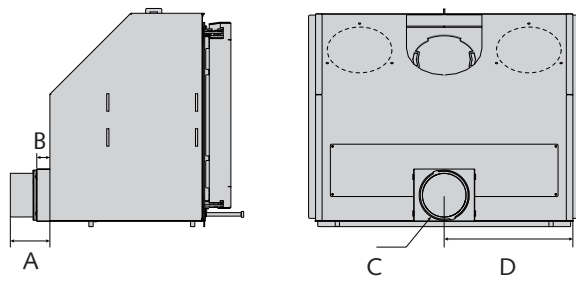
DIMENSIONS (MM)	A	B	C	D
Stûv 6-in - 56X50	478	251	245	130
Stûv 6-in - 66X50	478	251	295	150
Stûv 6-in - 66X55	555	251	295	150
Stûv 6-in - 76X55	555	251	345	150
Stûv 6-in - 76X60	605	251	345	150
Stûv 6-in - 86X60	605	251	395	180

### AIR CONNECTION KIT 100MM BELOW (OPTION)

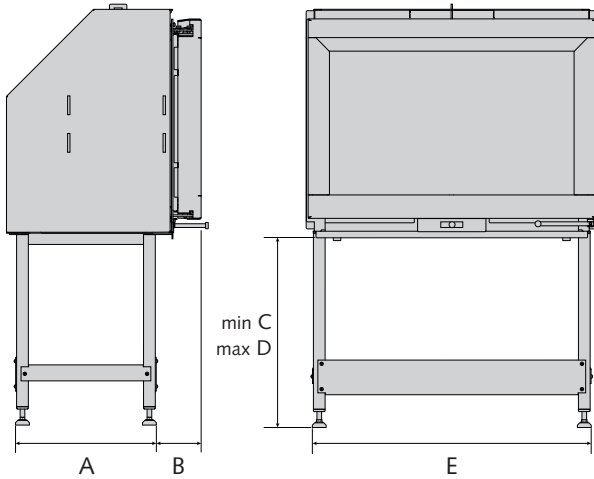


DIMENSIONS (MM)	A	B	C	D
Stûv 6-in - 56X50	59	290	100	245
Stûv 6-in - 66X50	59	290	100	295
Stûv 6-in - 66X55	59	290	100	295
Stûv 6-in - 76X55	59	290	100	345
Stûv 6-in - 76X60	59	290	100	345
Stûv 6-in - 86X60	59	290	100	395

### AIR CONNECTION KIT 100MM REAR (OPTION)

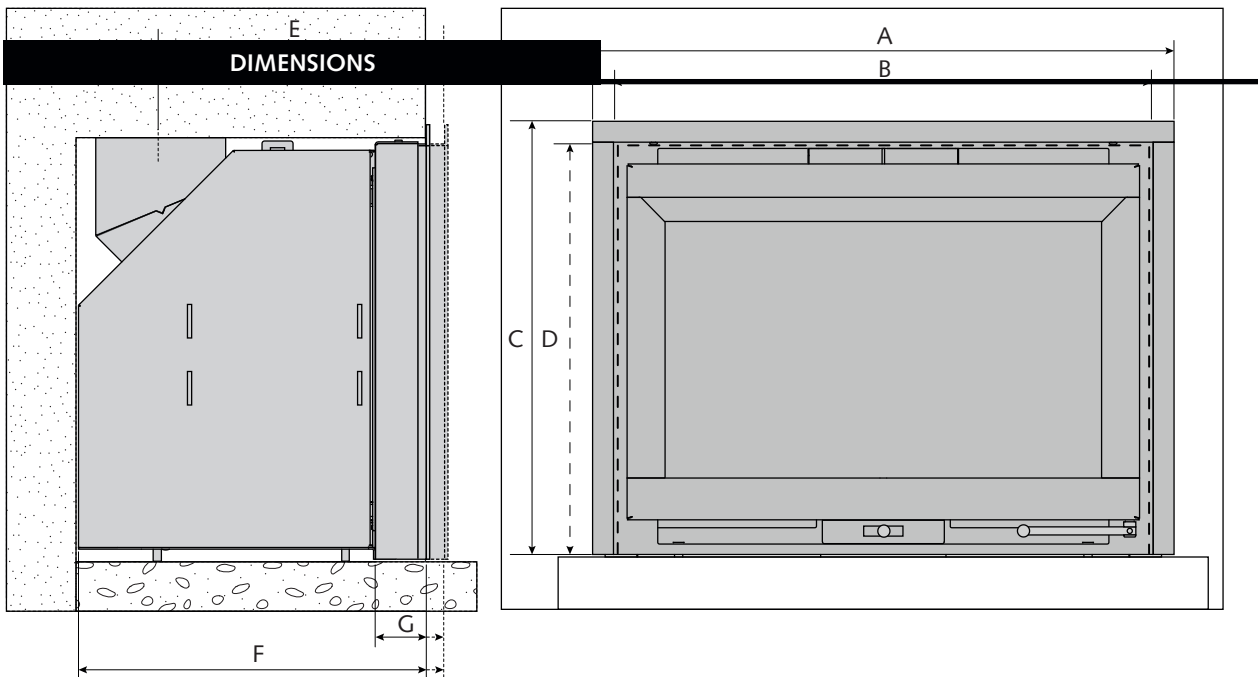
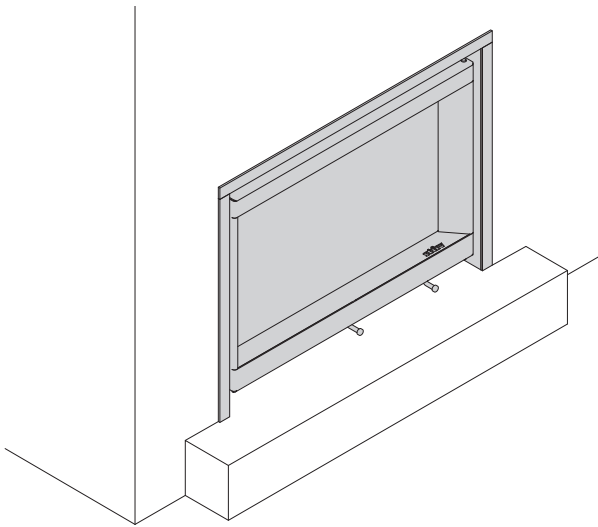


DIMENSIONS (MM)	A	B	C	D
Stûv 6-in - 56X50	70	31	100	245
Stûv 6-in - 66X50	70	31	100	295
Stûv 6-in - 66X55	70	31	100	295
Stûv 6-in - 76X55	70	31	100	345
Stûv 6-in - 76X60	70	31	100	345
Stûv 6-in - 86X60	70	31	100	395

**APPLIANCE DIMENSIONS**
**SUPPORT TABLE**


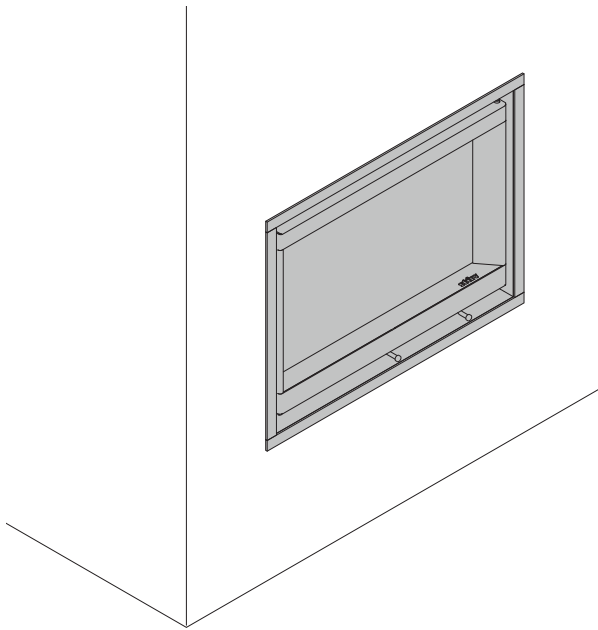
DIMENSIONS (MM)	A	B	C	D	E
Stûv 6-in - 46x55	300	95	50	600	496
Stûv 6-in - 56X50	300	95	50	600	496
Stûv 6-in - 66X50	300	95	50	600	596
Stûv 6-in - 66X55	300	95	50	600	596
Stûv 6-in - 76X55	300	95	50	600	696
Stûv 6-in - 76X60	300	95	50	600	696
Stûv 6-in - 86X60	300	95	50	600	796

# Stûv 6-in | Fitted frame three sided

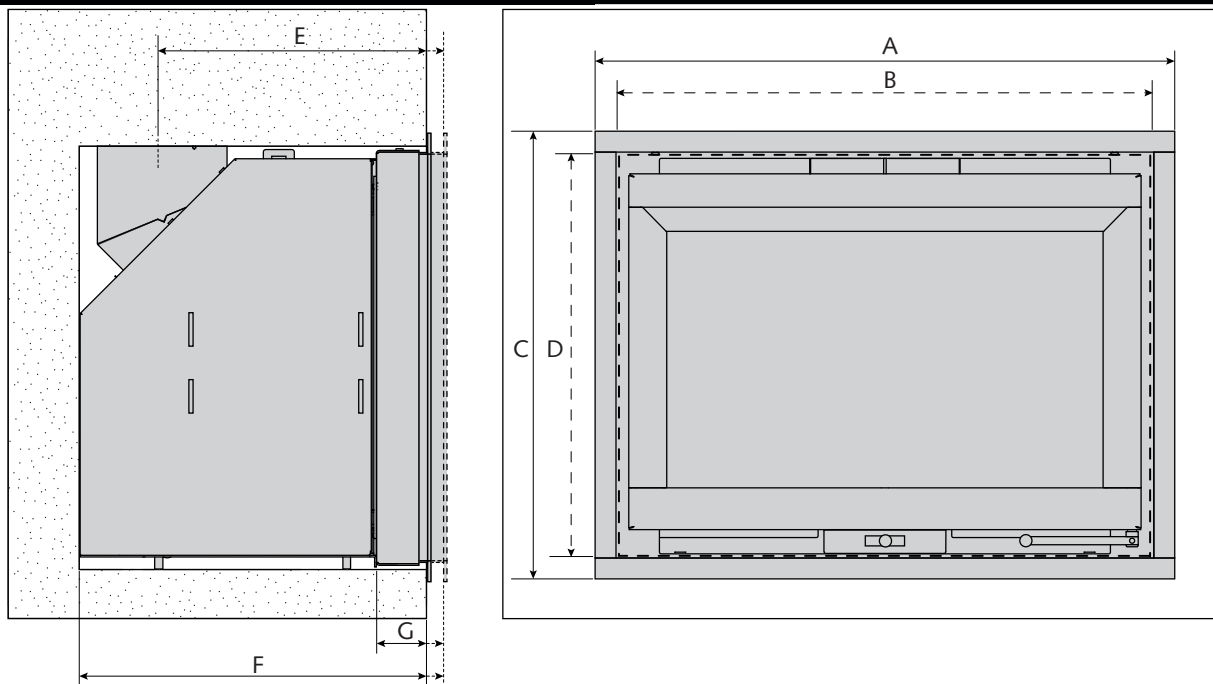


DIMENSIONS (MM)	A	B	C	D	E	F	G
Stûv 6-in - 46x55	496	460	567	545	316 (-0/+20)	413 (-0/+20)	60 (-0/+20)
Stûv 6-in - 56X50	596	560	519	495	316 (-0/+20)	413 (-0/+20)	60 (-0/+20)
Stûv 6-in - 66X50	696	660	519	495	316 (-0/+20)	413 (-0/+20)	60 (-0/+20)
Stûv 6-in - 66X55	696	660	567	545	316 (-0/+20)	413 (-0/+20)	60 (-0/+20)
Stûv 6-in - 76X55	796	760	567	545	316 (-0/+20)	413 (-0/+20)	60 (-0/+20)
Stûv 6-in - 76X60	796	760	619	595	316 (-0/+20)	413 (-0/+20)	60 (-0/+20)
Stûv 6-in - 86X60	896	860	619	595	316 (-0/+20)	413 (-0/+20)	60 (-0/+20)

# Stûv 6-in | Fitted frame four sided

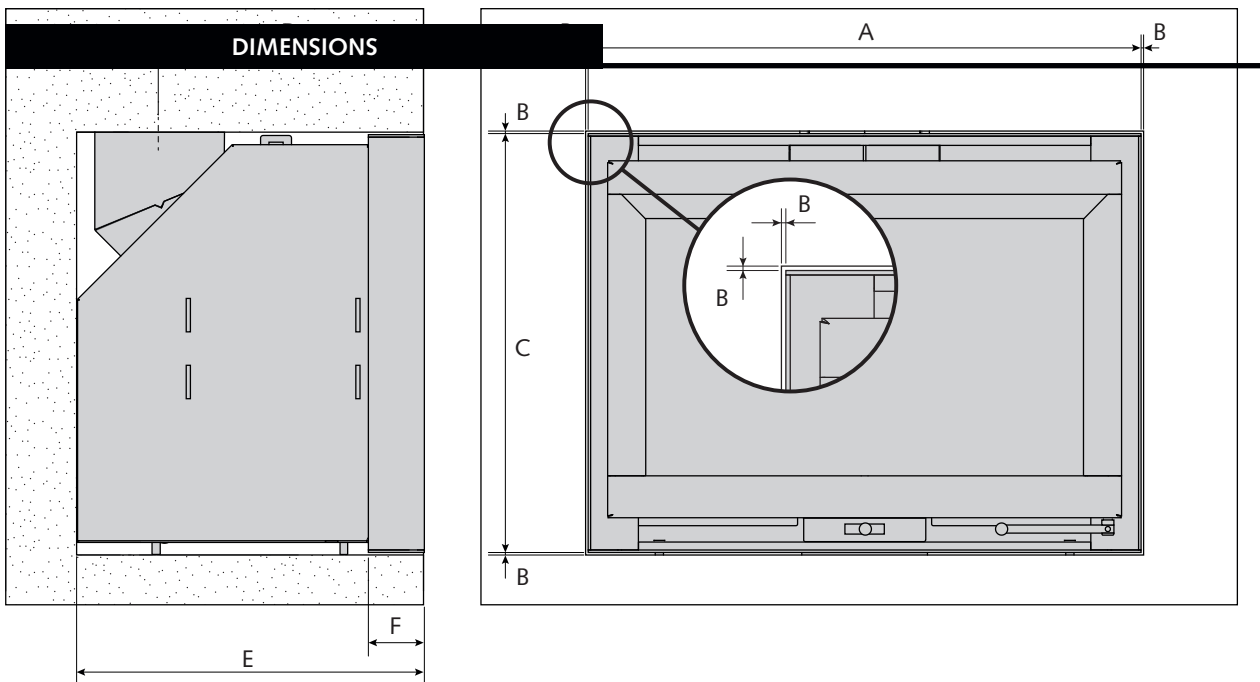
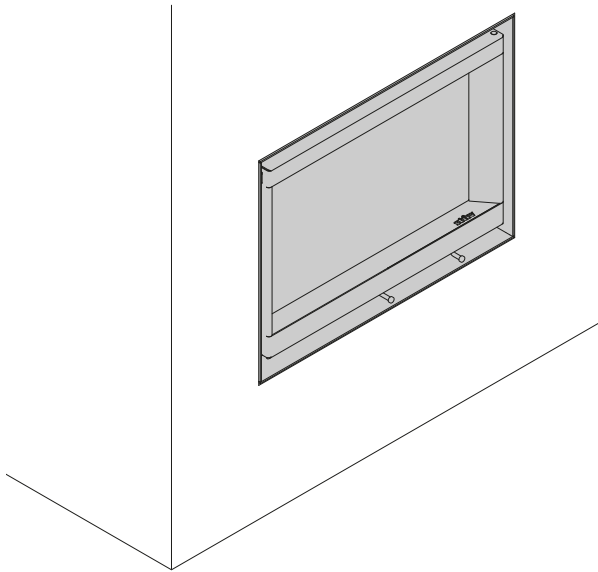


## DIMENSIONS



DIMENSIONS (MM)	A	B	C	D	E	F	G
Stûv 6-in - 46x55	494	460	586	550	316 (-0/+20)	413 (-0/+20)	60 (-0/+20)
Stûv 6-in - 56X50	594	560	536	500	316 (-0/+20)	413 (-0/+20)	60 (-0/+20)
Stûv 6-in - 66X50	694	660	536	500	316 (-0/+20)	413 (-0/+20)	60 (-0/+20)
Stûv 6-in - 66X55	694	660	586	550	316 (-0/+20)	413 (-0/+20)	60 (-0/+20)
Stûv 6-in - 76X55	794	760	586	550	316 (-0/+20)	413 (-0/+20)	60 (-0/+20)
Stûv 6-in - 76X60	794	760	636	600	316 (-0/+20)	413 (-0/+20)	60 (-0/+20)
Stûv 6-in - 86X60	894	860	636	600	316 (-0/+20)	413 (-0/+20)	60 (-0/+20)

# Stûv 6-in | Thin frame (recessed)

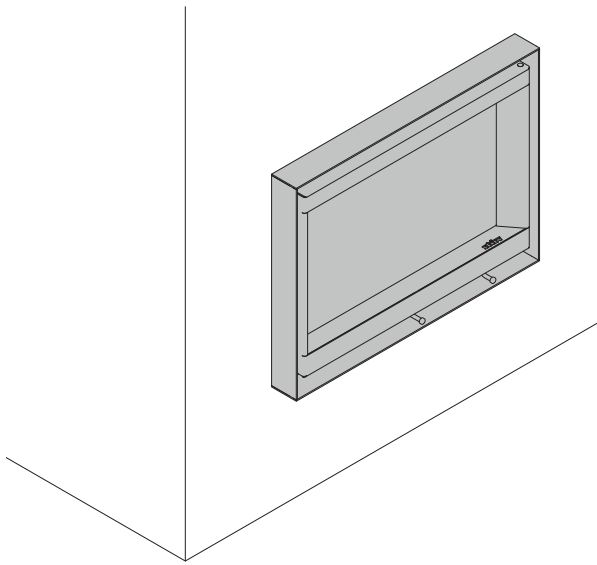
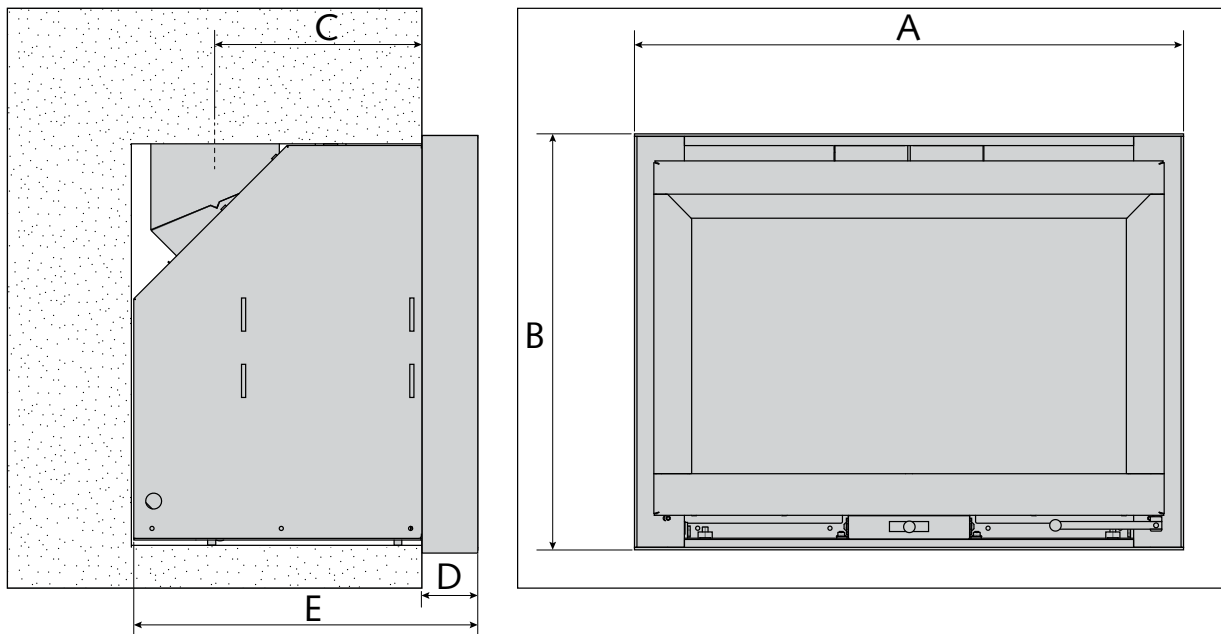


DIMENSIONS (MM)	A	B*	C	D	E	F
Stûv 6-in - 46x55	460	4	550	317	415	67
Stûv 6-in - 56X50	560	4	500	317	415	67
Stûv 6-in - 66X50	660	4	500	317	415	67
Stûv 6-in - 66X55	660	4	550	317	415	67
Stûv 6-in - 76X55	760	4	550	317	415	67
Stûv 6-in - 76X50	760	4	600	317	415	67
Stûv 6-in - 86X60	860	4	600	317	415	67

\* Hollow seal to be respected around the finishing frame



## Stûv 6-in | Thin frame


**DIMENSIONS**


DIMENSIONS (MM)	A	B	C	D	E
Stûv 6-in - 46x55	460	550	250	67	415
Stûv 6-in - 56X50	560	500	250	67	415
Stûv 6-in - 66X50	660	500	250	67	415
Stûv 6-in - 66X55	660	550	250	67	415
Stûv 6-in - 76X55	760	550	250	67	415
Stûv 6-in - 76X60	760	600	250	67	415
Stûv 6-in - 86X60	860	600	250	67	415